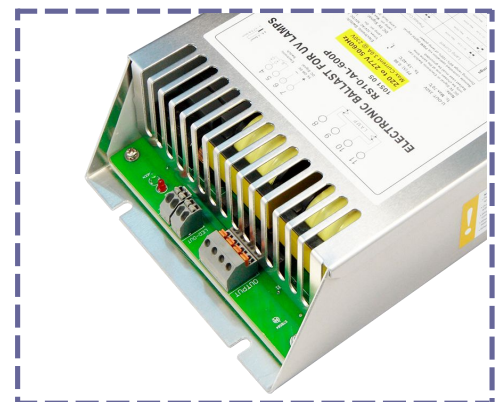
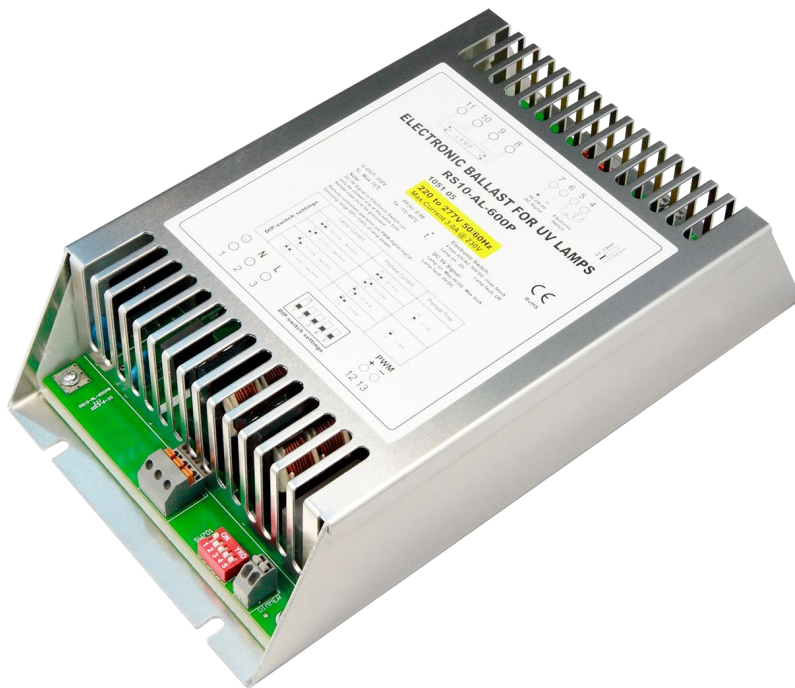


### TYPE : RS10-AL-600P VER:A

Preheat Start Ballast  
AC Source : 198~305V 50/60Hz

Power : 500~650W

### Product Picture



### Product Label (Label Can be Customized)

LAMP

Electronic Switch

**ELECTRONIC BALLAST FOR UV LAMPS**

**RS10-AL-600P**

1051 05

**220 to 277V 50/60Hz**

**Max.Current 3.0A @ 230V**

U-OUT: 350V  
Tc: Max.70°C

PF(A): 0.98  
Ta: -15~40°C

Electronic Switch:  
Vmax.22VAC 50VDC Imax.50mA  
Lamp on: On Lamp fault: Off

Note:  
DC 5V signal or Electronic Switch can only be chosen one at the same time.  
Ballast case must be grounded.  
Remote controlled operation via PWM digital signal.  
Dimming range 60%-100% of lamp power.

DIP-switch settings	Lamp Current	Preheat Current	Preheat Time
00 = 0.5A	Max.500W	00 = 0.5A	0 = 12S
01 = 0.5A	Max.500W	01 = 0.5A	1 = 20S
10 = 0.5A	Max.500W	10 = 0.5A	1 = 20S
11 = 0.5A	Max.500W	11 = 0.5A	1 = 20S

N L

1 2 3

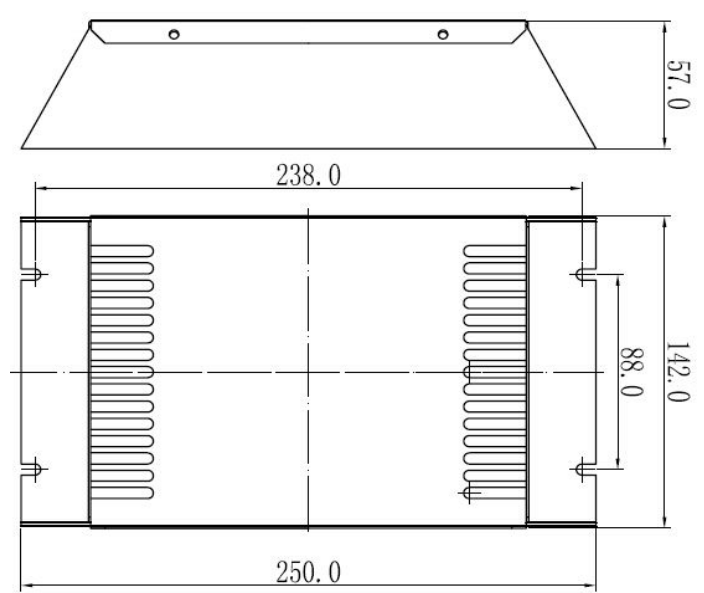
DIP-switch settings

PWM

+ -

12 13

### Product Dimensions

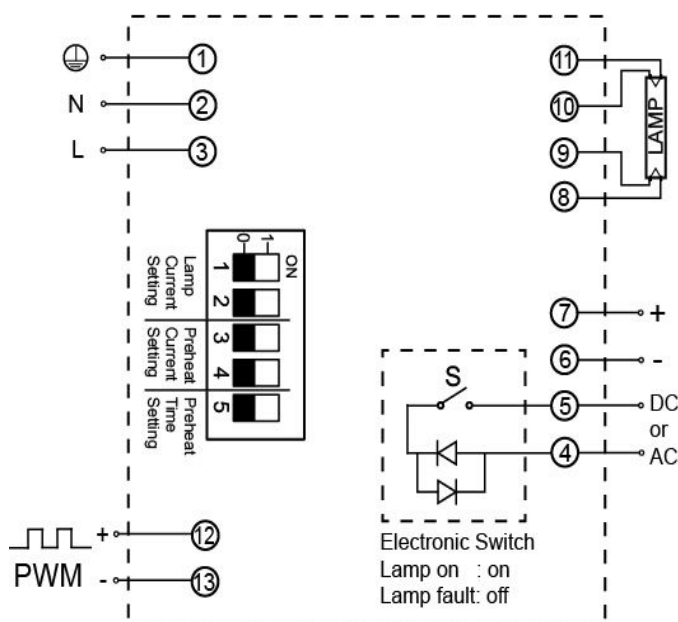


### TYPE : RS10-AL-600P VER:A

Preheat Start Ballast  
AC Source : 198~305V 50/60Hz

Power : 500~650W

#### Wiring Diagram



#### Features & Functions

- Preheat Start
- Limiting Current and Power
- Lamp Open Protection
- Lamp Fault Protection
- PWM Dimming Interface
- Status Indication:
  - ▶ Green and red LED indicate operation status
  - ▶ DC 5V Signal
    - Lamp on: Max.5V/DC, Max.5mA, Lamp fault: 0V
  - ▶ Electronic Switch
    - Lamp on: On , Lamp fault: Off
  - ▶ DC 5V Signal or Electronic switch can only be chosen one at the same time.

#### Electrical Specification

- Input Mains Voltage: 220~277V±10%
- Input Line Frequency: 47~63Hz
- Input Current: Max.3.0A at 230Vrms
- Input Power: 530~690W
- Power Factor: 0.98 typ.
- Output Frequency: >25KHz
- Crest Factor: <1.7
- Current THD: <10% typ.
- Preheat Time: Optional 12S,20S
- Preheat Current: Optional 5.0A,5.5A,6.0A,6.5A
- Output Current: Optional 5.5A,5.5A,6.0A,6.5A typ.
- Lamp Power: 500~650W
- Lamp Type: 500W/5.5A , 550W/5.5A  
600W/6.0A , 650W/6.5A
- Efficiency: 94% Max. load
- Power Dimming Range: 60~100% Power at D20~100%
- PWM Signal: 5V or 12V, 200~1kHz
- Status Indication: Green and red LED
- Signal Output: Max.5V/DC, Max.5mA
- Electronic Switch: Vmax.32V/AC,50V/DC,Imax.50mA
- Protections: Lamp Open / Fault
- Tc-temperature: Max. 70°C
- Ta-temperature: -15~40°C
- Storage: -40~85°C
- Approvals: CE ( LVD EMC )
- IP Code: IP20
- Dimensions: 250×142×57mm

#### Note

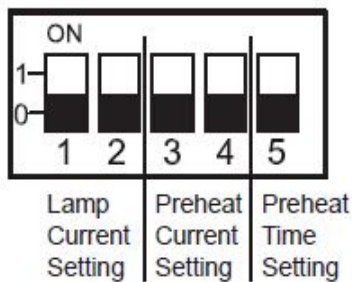
- ▶ Once the DIP is setted up, please do not make any change, otherwise the lamps may be damaged.
- ▶ When the Tc temperature is over 70°C, please add a heat-dissipation device.

### TYPE : RS10-AL-600P VER:A

Preheat Start Ballast  
AC Source : 198~305V 50/60Hz

Power : 500~650W

#### Operating Instructions



#### DIP-switch Settings

Lamp Current Switches set to	Preheat Current Switches set to	Preheat Time Switches set to
00=5.5A Max.500W	00=5.0A	0=12S
01=5.5A Max.550W	01=5.5A	1=20S
10=6.0A Max.600W	10=6.0A	
11=6.5A Max.650W	11=6.5A	

#### Recommended DIP-switch Settings

Lamp Current DIP Position	Preheat Current DIP Position	Preheat Time DIP Position	Lamp Power DIP Position	Lamp Type
00=5.5A	00=5.0A	1=20S	Max.500W	GPHHA1554T10L/5.5A
01=5.5A	01=5.5A	0=12S	Max.550W	550W/5.5A
10=6.0A	10=6.0A	1=20S	Max.600W	600W/6.0A
11=6.5A	11=6.5A	1=20S	Max.650W	650W/6.5A

#### Product Packing Information

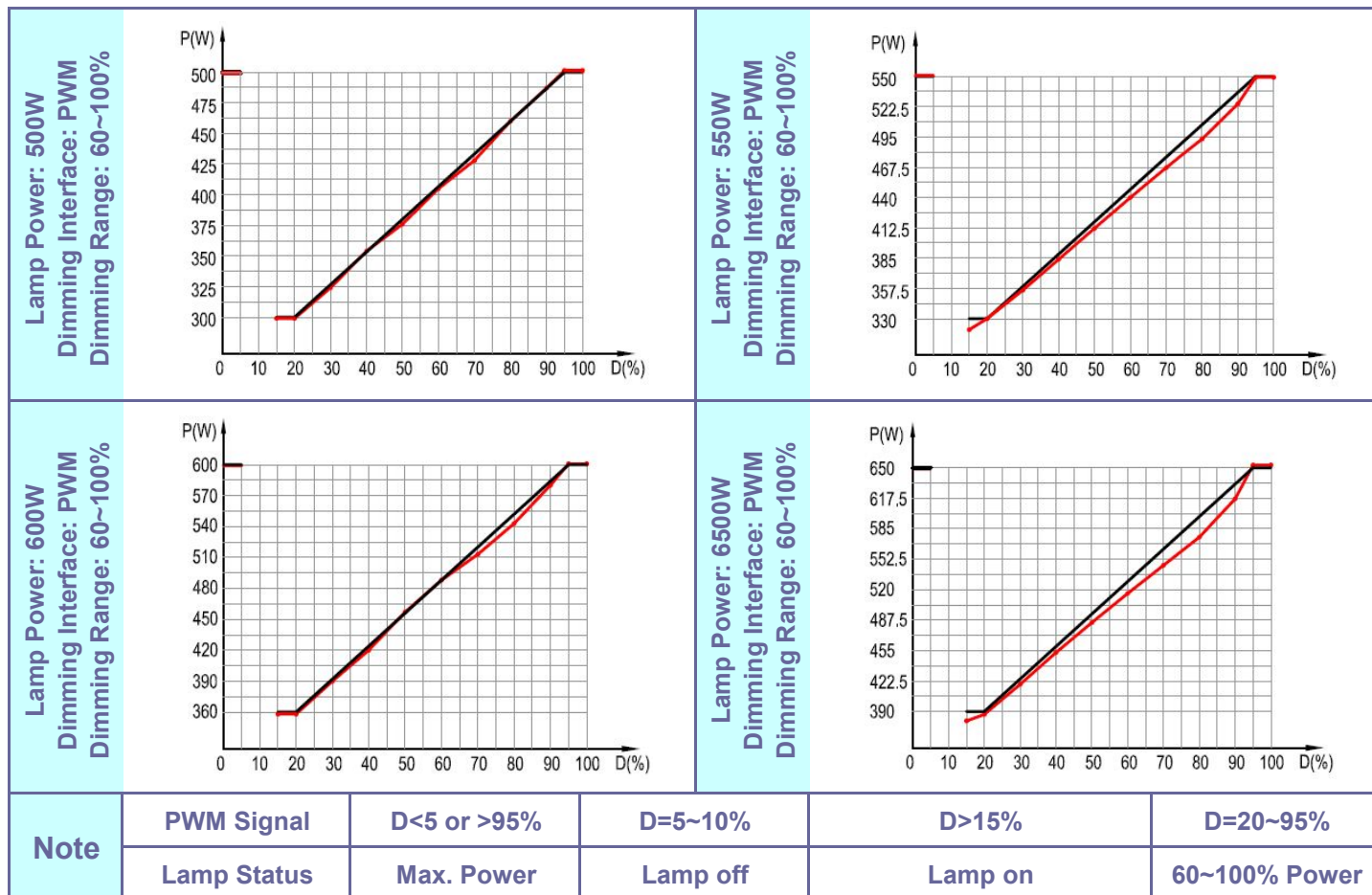
Article No.	Type	Inner Box		Carton			Pallet		
		Size [mm]	Weight [kg]	Quantity [pcs]	Size [m³]	Weight [kg]	Quantity [pcs]	Size [m³]	Weight [kg]
8200105105	RS10-AL-600P	255*154*69	1.55	9	0.032	14.77	324	1.48	544

### TYPE : RS10-AL-600P VER:A

Preheat Start Ballast  
AC Source : 198~305V 50/60Hz

Power : 500~650W

### Dimming Instructions



### Similar Product Ordering Information

Article No.	Type	Lamp Power	Lamp Type
8000091102	RH10-AL-2/320	2*200~320W	2*200~240W/1.8A 2*200~320W/2.1A
8200105105	RS10-AL-600P	500~650W	500W/5.5A 550W/5.5A 600W/6.0A 650W/6.5A
8200106208	RS10-AL-2/320	2*200~330W	2*240W/1.8A 2*320W/2.1A